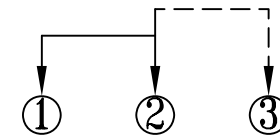
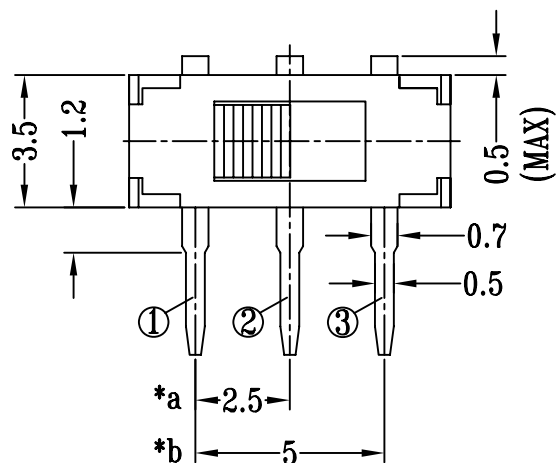
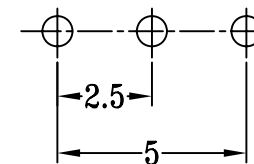
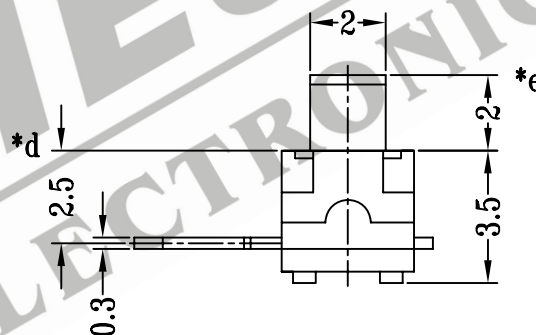
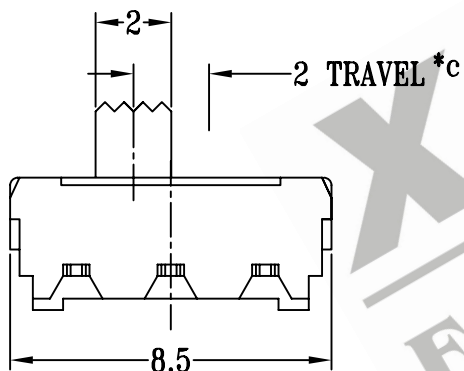


CAD FILE:



SCHEMATIC



P.C.B LAYOUT

注：“*”表示关键尺寸（5个）

8					TOLERANCE	SHENZHEN XIEJIA ELECTRONICS CO.,LTD.					
7					UNLESS SPECIFIED						
6					WITHIN : 1.5±0.1mm						
5	TERMINAL	BRASS STRIP	1	Ag PLATED OVER Ni PLATED	OVER : 1.5±0.2mm	ISSUE	DATE	DESCRIPTIONS		APPD	
4	CASE	PA 66	1	BLACK		TITLE: MINI SLIDE SWITCH		UNIT : MM	DRWG NO.: XJ-DR-MK12D13-00		
3	CONTACT	PBS STRIP	1	Ag PLATED		MODEL: MK-12D13		SCALE: 5 : 1	DWN	ZHOUYU	2004-5-8
2	KNOB	NYLON	1	BLACK					CHK'D	FANGYING	2004-5-8
1	COVER	SUS	1	WASHING					APPD	KANGXINAN	2004-5-8
NO.	PART	NAME	MATERIAL	QTY	FINISHING	ALL MATERIALS MUST BE COMPLIANT TO ROHS					